

Part number

CAOT 10.5



Brief description:

hoods with 4 pegs, size "57.27", side entry, 3/4" NPT, metal version, IP66

Product description

Version	metal version
Series	hoods for two levers
Product type	with 4 pegs
Variant	side entry
Style	high construction
Family	CLASS enclosures
Size	size "57.27"

Technical data

Operating temperature range (min, max)	-40°C ... +125°C
Material	metal
IP degree of protection	IP66 (and IP69K DIN 40050 - 9)
Cable entry	3/4" NPT

Further technical details

Weight	184,00 g
--------	----------

Approvals / Standards

Quality mark	 (type:4/4X/12),  , EAC
Conformity	CQC, CE

General ordering information

EAN13 code	8015747006873
Tariff number	85369095

Packaging Information

Sub-packaging weight	0,92 kg
Sub-packaging description	Plastic packaging
Sub-packaging quantity	5 Pcs
Sub-packaging EAN barcode	8015747121583

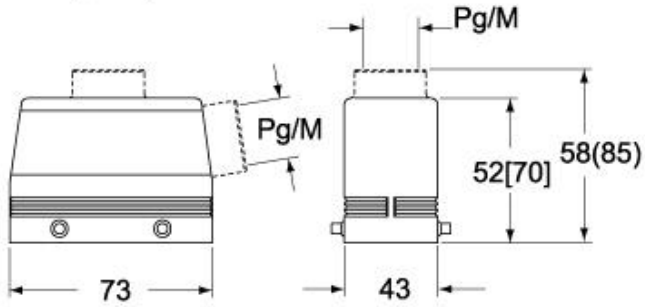
Part number

CAOT 10.5

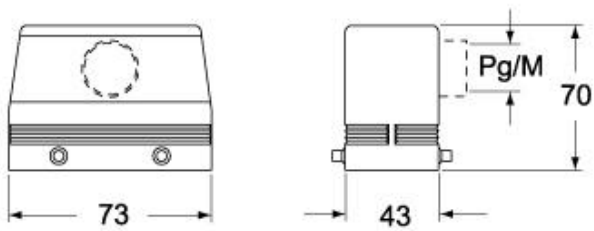


Catalogue drawings

**CHO [CAO] CHV (CAV) - MHO [MAO]
MHV (MAV)**



CAF - MAF/MFF



CHV G (CAV G) - MHV G (MAV G) - [MFV G]

